

2021.6

A

B

C

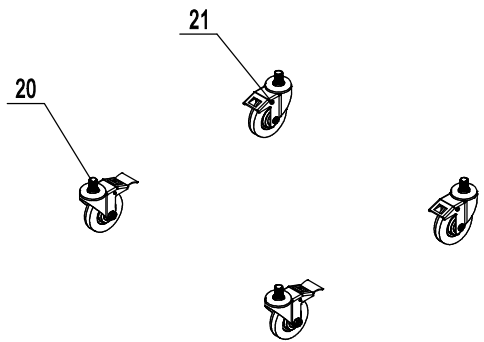
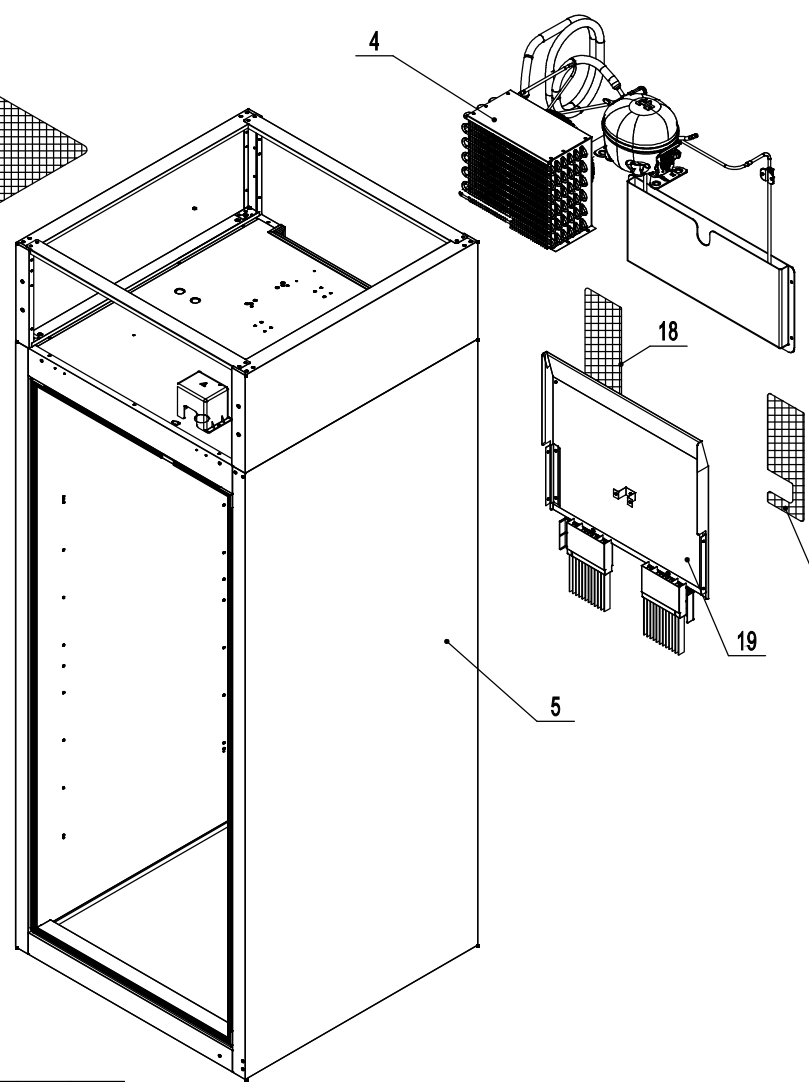
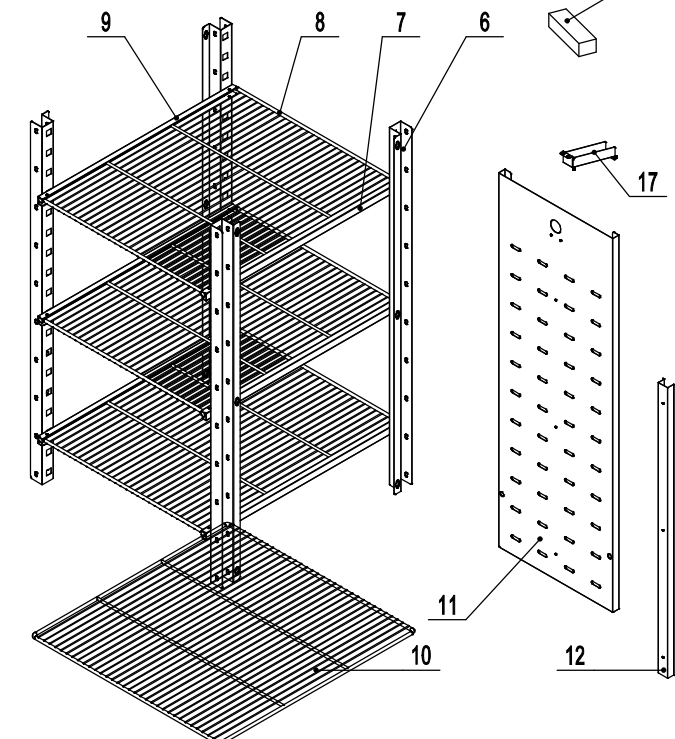
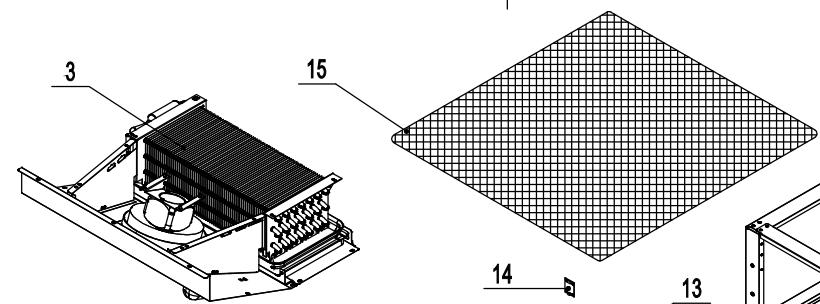
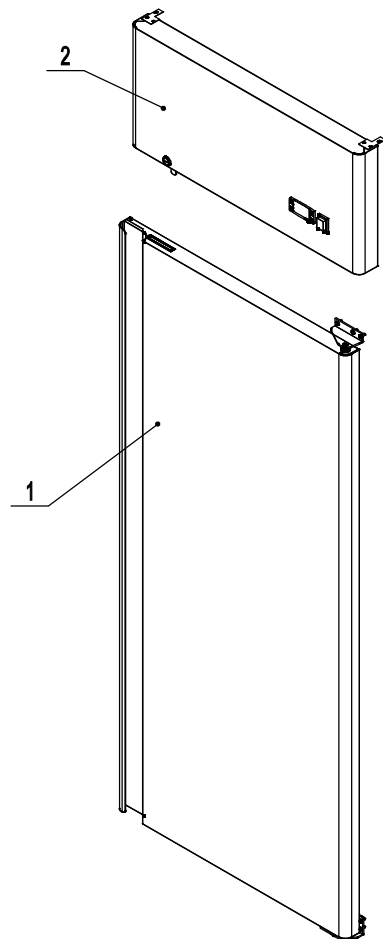
D

A

B

C

D



21	B0604413	4" Castor Without Brake	4吋重磅万向轮 (脚轮)	2														
20	B0604421	4" Castor With Brake	4吋带刹重磅万向轮(测定向)	2														
19	8001GR-WEA	Water evaporation assembly	水蒸发组件	1			9	80037407	shelf left chute	隔条(滑槽)左	SUS201	3						
18	W0402616-2	Right back of wire cage	箱体后背保护网(右)	1			8	W0402369	Shelf	食品架	SUS201	3						
17	W0409081	A drain protection	排水管保护件	ABS	1		7	80037408	shelf right chute	隔条(滑槽)右	SUS201	3						
16	W0402616-1	Left back of wire cage	箱体后背保护网(左)	1			6	80037402	Pilastor For Shelf	食品架隔条	SUS201	4						
15	W0402664	top of wire cage	箱体顶部保护网	1			5	8004GR-CA	Cabinet Assembly	箱体组件		1						
14	W0399148	LED Controller	LED灯控制器	1			4	8116GR-CCA	Comp&Cond Assembly	冷凝机组		1						
13	W0399115	LED Power	LED灯电源	15W	1		3	8116GR-EA	Evaporator Assembly	蒸发机组		1						
12	80011041	Back wind deflector stents	后背导风板支架	SUS430	1		2	8116GR-MTPA	Top Panel Assembly	前罩组件		1						
11	80011042-430	Back wind deflector	后背导风板	SUS430	1		1	8113-MDA	Door Assembly	门体组件		1						
10	W0402366	Bottom Shelf	底层食品架	1														
									Material code	English Name	Chinese Name	MATERIAL	QUANTITY	Remark	Price			

1

2

3

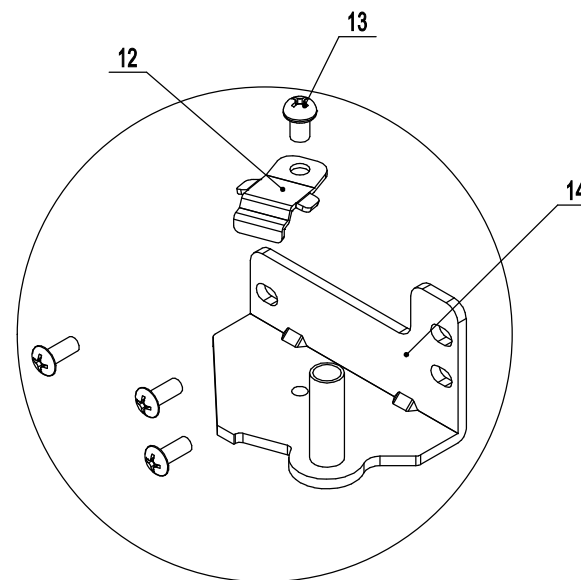
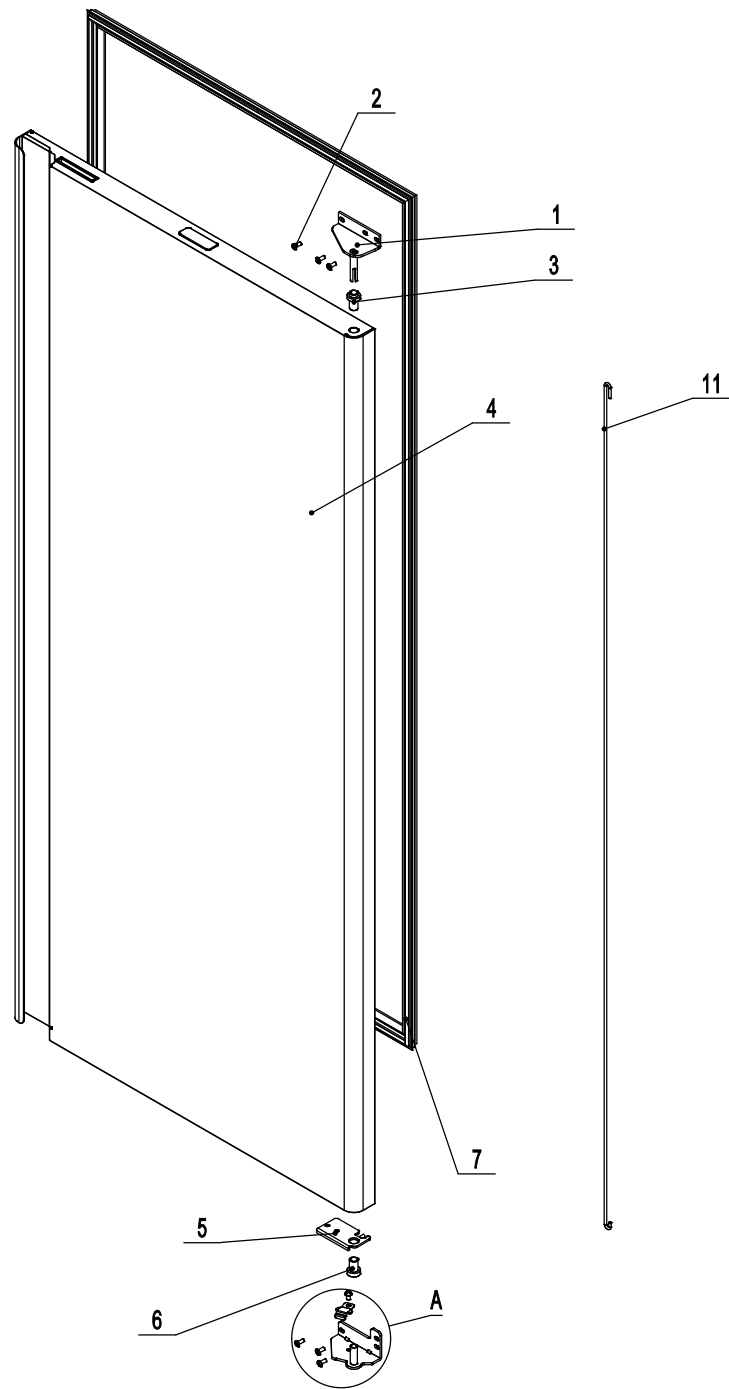
4

5

6

8113-MDA

2020. 2. 15



局部放大图A

14	W0604037	Right-Bottom Hinge	右下铰链	SUS304	1		
13	B0507015	SS Screw M6x8	M6x8不锈钢螺丝		1		
12	W0604038	Door Brake-Bottom	门自锁装置-下	SUS304	1		
11	W0604921	Door Spring Bar	门体发条		1		
7	W0404514	Door Gasket	门封条		1		
6	W0409843	Door Shaft Sleeve-Bottom	门体轴套	PA66	1		
5	W0604030	Door Brake -Right	门自锁装置-右	SUS304	1		
4	81130201	Right Door	右门体	SUS430	1		
3	W0409842	Door Shaft Sleeve-Top	门体轴套	PA66	1		
2	B0502207	SS Screw M5x12	M5x12不锈钢螺丝		6		
1	W0604033	Right-Top Hinge	右上铰链	SUS304	1		
序号	Material code	English Name	Chinese Name	MATERIAL	QUANTITY	Remark	Price

8116GR-MTPA

2021.6

A

B

C

D

1

2

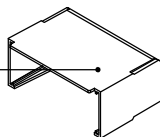
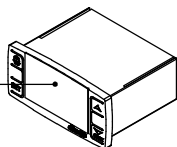
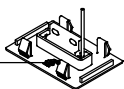
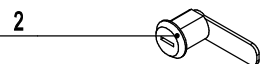
3

4

5

6

7



7	80021404	Fastener For Top Panel	上罩板加固件	SUS430	2	
6	W0302303	Controller Cover	防水后盖		1	
5	W0308019	Power Switch	电源开关		1	
4	W0302168	Digital Controller	冷藏温控器		1	D
3	W0409161	Gate Magnetic Switch	门磁开关组件		1	
2	W0604007	Lock	冰箱锁		1	
1	81131425-430	FRONT TOP PANEL-TOP	整体前罩板	SUS430	1	
序号	Material code	English Name	Chinese Name	MATERIAL	QUANTITY	Remark

1

2

3

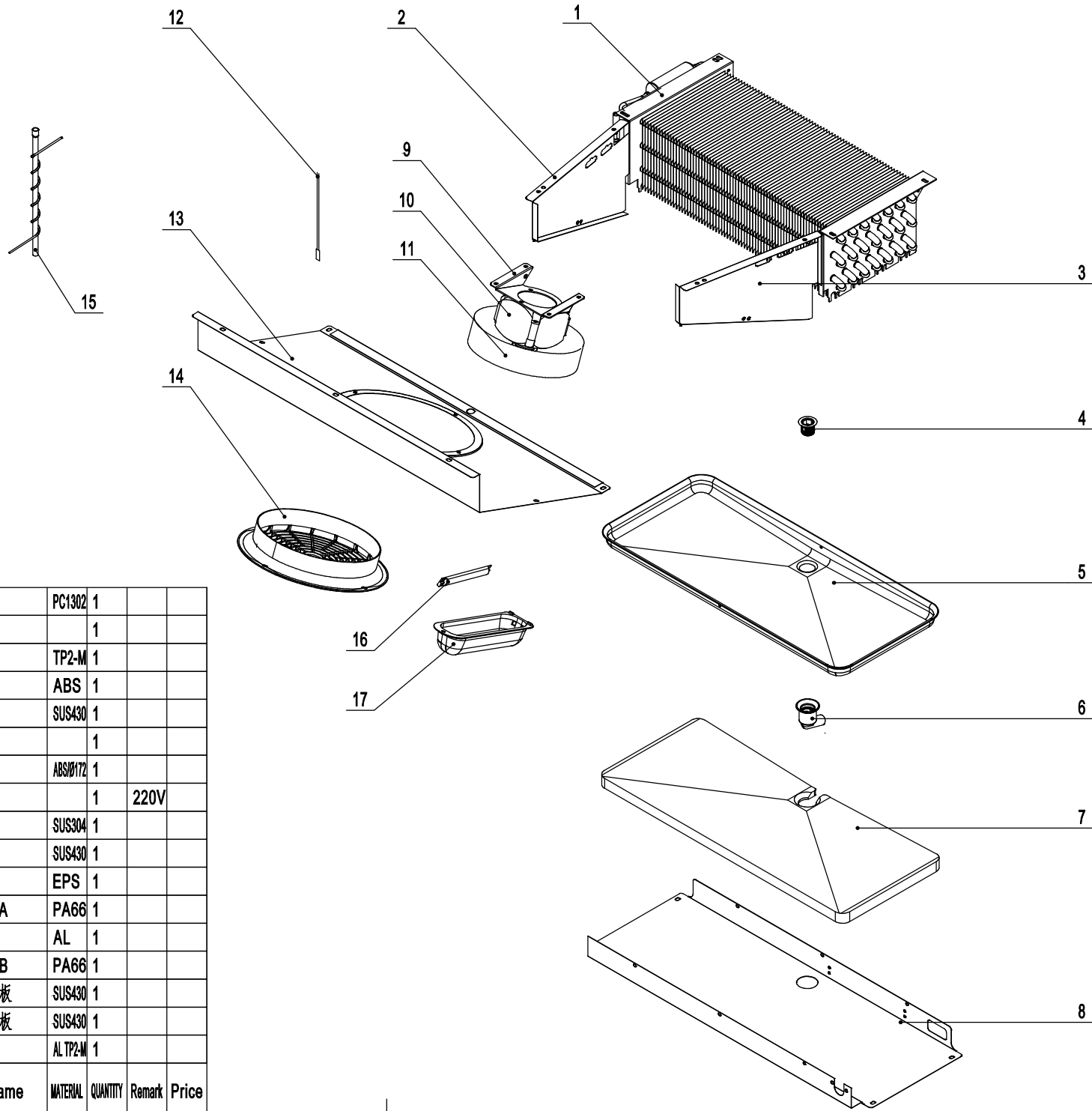
4

5

6

8116GR-EA

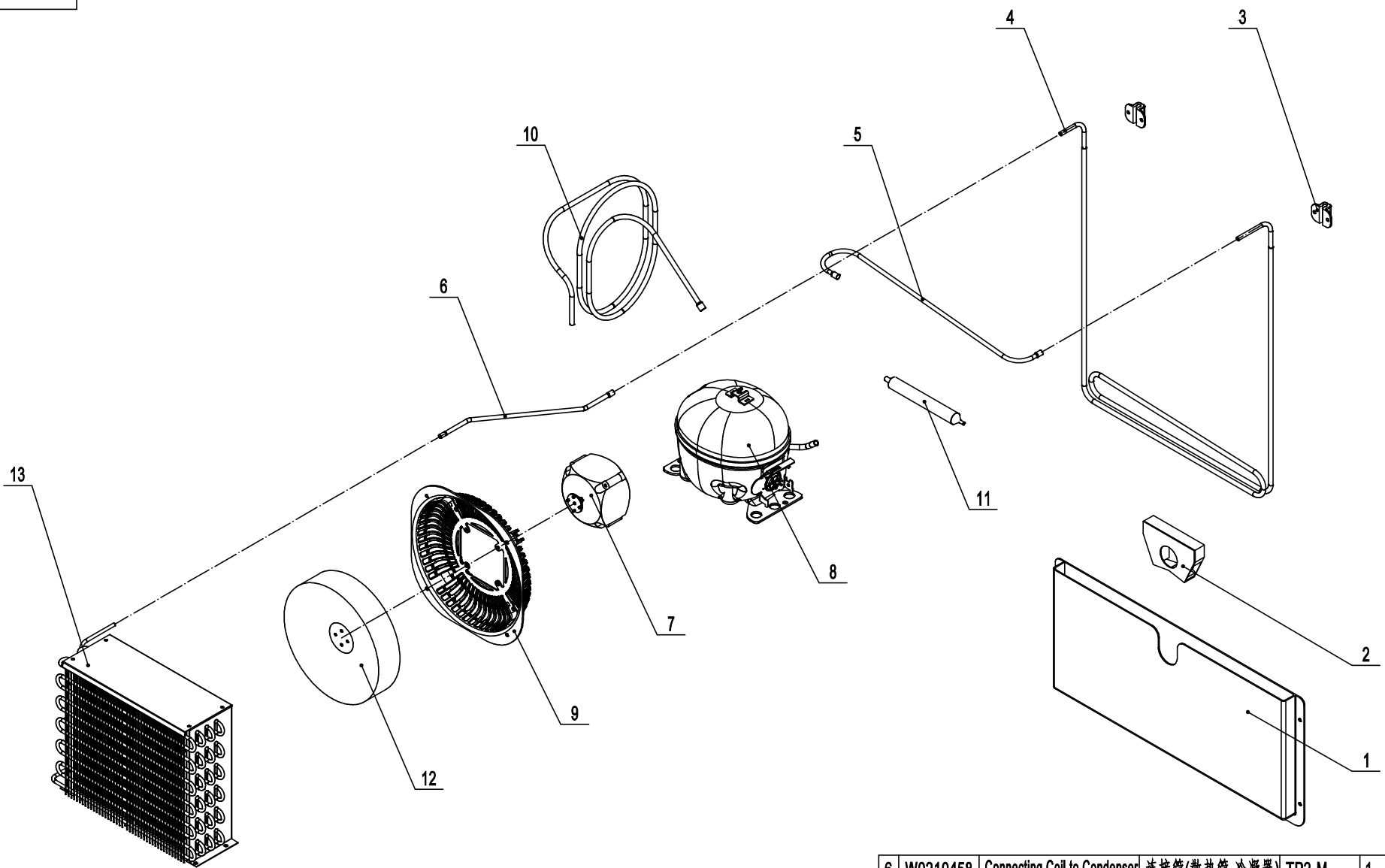
2020. 9. 25



17	W0409863	Lamp Cover	灯罩	PC1302	1		
16	W0304086	Lamp	冰箱LED灯		1		
15	W0210415	Low Pressure Coil Back to Comp	回气管(B)	TP2-M	1		
14	W0409080	Evap Fan Motor Cover	蒸发风机罩	ABS	1		
13	81131204-430	Evap Front Cover	蒸发前盖板	SUS430	1		
12	W0302316	Room Temp Probe	感温探头		1		
11	W0301078	Evap Fan Blade	蒸发风叶	ABS/Ø172	1		
10	W0301913	Evap Fan Motor	蒸发风机		1	220V	
9	80021501	Evap Fan Braket	蒸发风机支架	SUS304	1		
8	81131203-430	Drain Pan Cover	蒸发后盖板	SUS430	1		
7	W0803011	Drain Pan Foam	接水盘泡沫	EPS	1		
6	W0409858	Drain Hose Connector A	排水管连接器A	PA66	1		
5	80012001	Drain Pan	铝制接水盘	AL	1		
4	W0409859	Drain Hose Connector B	排水管连接器B	PA66	1		
3	80021204	Evap Right Cover	蒸发空气右挡板	SUS430	1		
2	80021203	Evap Left Cover	蒸发空气左挡板	SUS430	1		
1	W0202117	Evaporator	蒸发器	AL TP2-M	1		
序号	Material code	English Name	Chinese Name	MATERIAL	QUANTITY	Remark	Price

8116GR-CCA

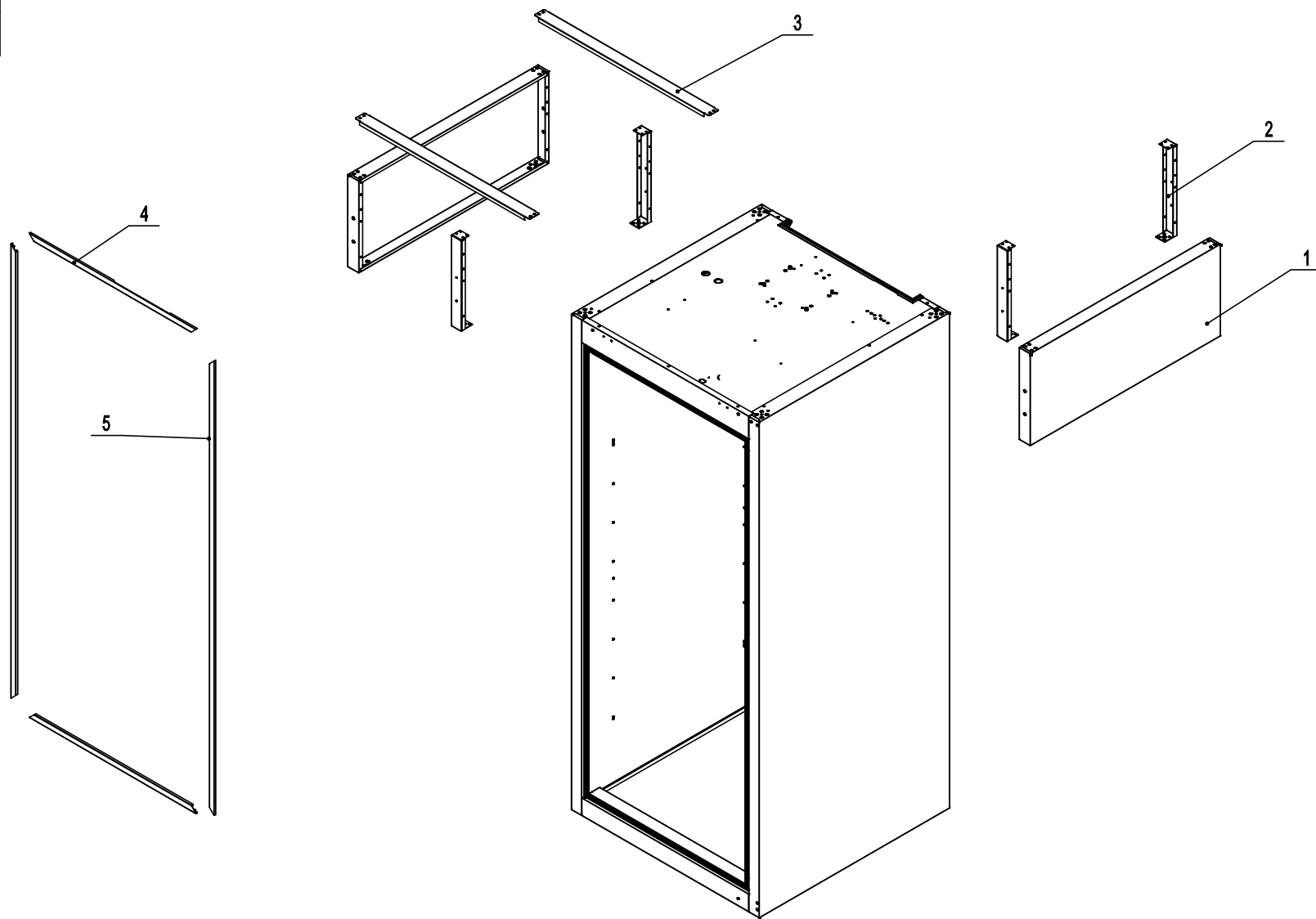
2020. 7. 29



	6	W0210458	Connecting Coil to Condenser	连接管(散热管-冷凝器)	TP2-M	1	
	5	W0210416	Connecting Coil From Compressor	连接管(压缩机与散热管)	TP2-M	1	
	4	W0210413	High Pressure Coil	散热管	TP2-M	1	
	3	W0413062	Rubber Fixing Block	散热管固定垫	RUBBER(橡胶)	2	
	2	W0409078	Air pressure balance device	后背蒸发包水封	ABS	1	
	1	W0409071	Back High Pressure Coil Pan	后背蒸发包	PP	1	
	13	W0203051	Condenser	冷凝器		1	
	12	W0301060	Condenser Fan Blade	冷凝风叶	AL Ø200	1	
	11	W0204101	Dry Filter	干燥过滤器	TP2-M	1	
	10	W0210418	Low Pressure Coil Back to Comp	回气管(A)	TP2-M	1	
	9	W0409079	Condenser Fan Braket	冷凝风机支架	ABS	1	
	8	W0201151	Compressor	压缩机		1	
	7	W0301911	Condenser Fan	冷凝风机		1	
	Material code		English Name	Chinese Name	MATERIAL	QUANTITY	Remark

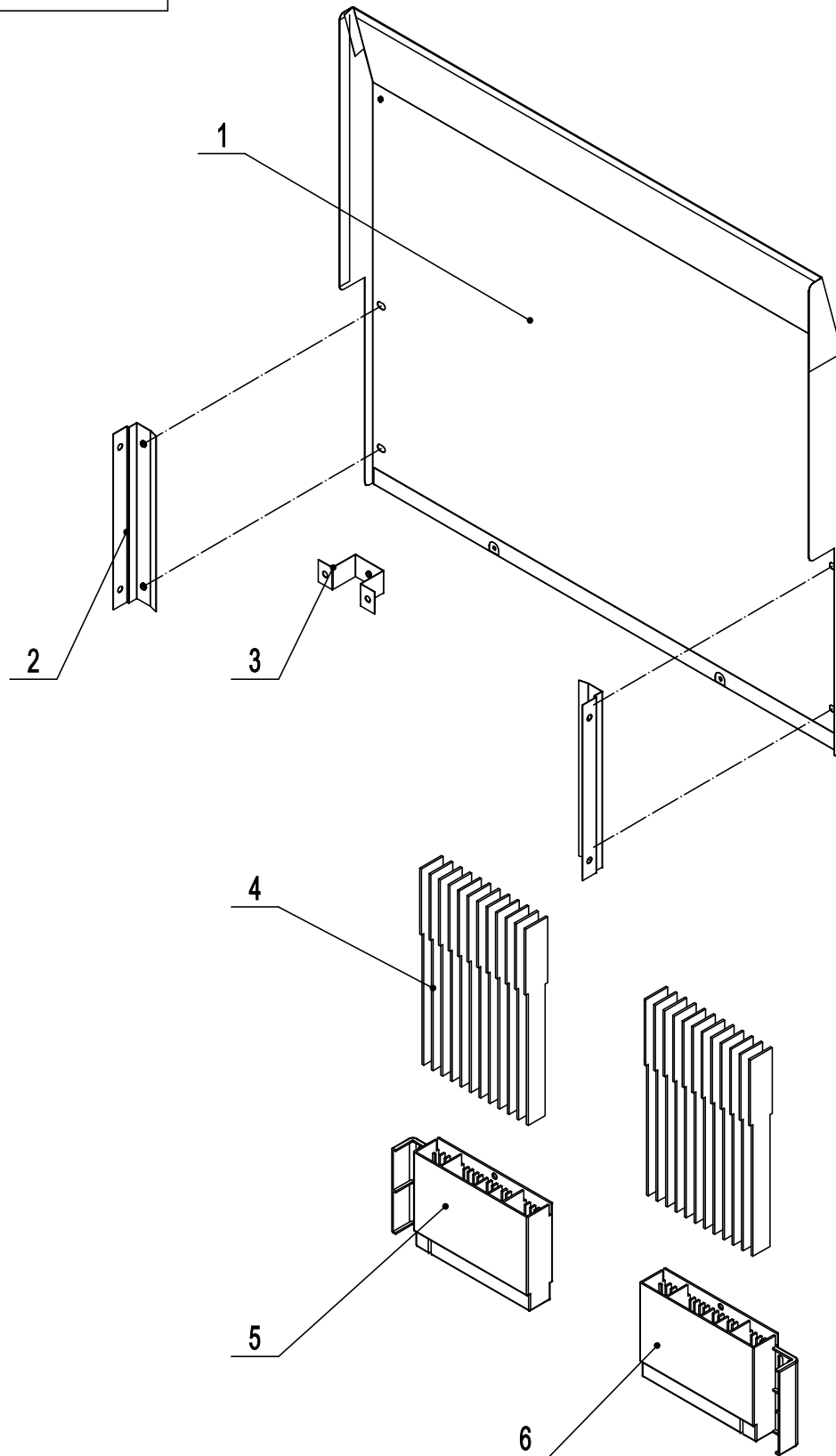
8004GR-CA

2020. 9. 25



5	W04102045	Left-Right Frame Cover	箱体左右接口盖	PVC-H	2		
4	W04102044	Top-Bottom Frame Cover	箱体上下接口盖	PVC-H	2		
3	80011811	Top Long Fixing Rack	箱体横向固定架	GI	2		
2	80011810	Side Panel Frame	箱体支撑架	GI	4		
1	80010935-430	Top Side Panel	箱体上侧板	SUS430	2		
序号	Material code	English Name	Chinese Name	MATERIAL	QUANTITY	Remark	Price

8001GR-WEA



6	W0409086	Left bracket for Absorbent paper	左吸水纸支架	1		
5	W0409087	Right bracket for Absorbent paper	右吸水纸支架	1		
4	W0499920	Absorbent paper	吸水纸	24		
3	80011814	Middle fixing plate for Air deflector	蒸发包导风板中固定件	1		
2	80011813	Side fixing plate for Air deflector	蒸发包导风板侧固定件	2		
1	80010941	Air deflector	蒸发包导风板	1		

序号	Material code	English Name	Chinese Name	MATERIAL	QUANTITY	Remark	Price
----	---------------	--------------	--------------	----------	----------	--------	-------